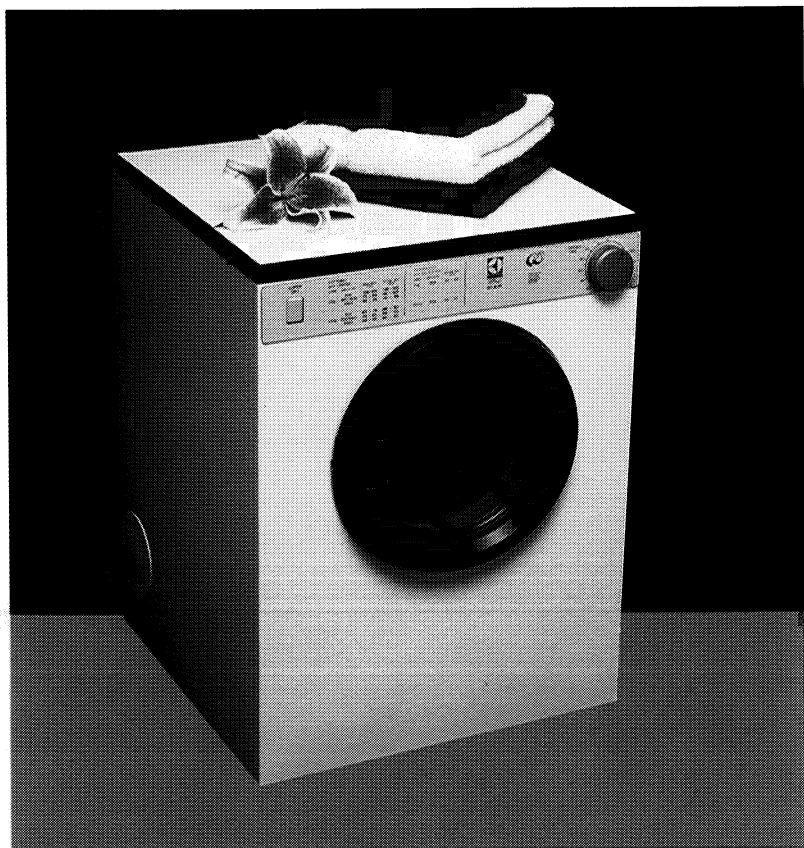


# Electrolux

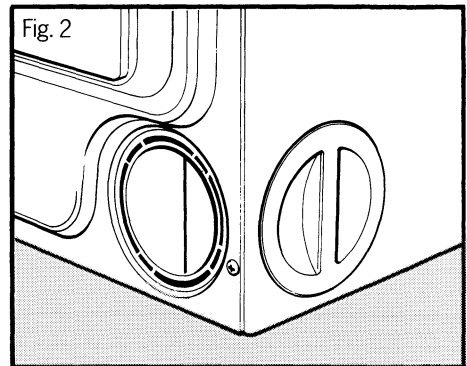
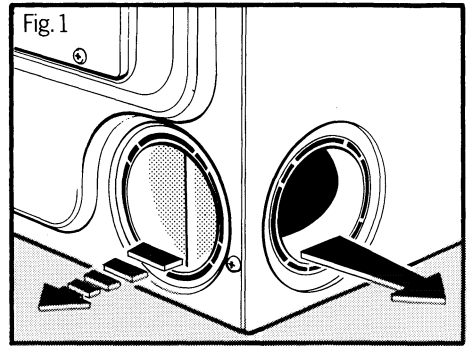
## COMPACT TUMBLE DRYER WT31RT



### User's Handbook

# Technical data

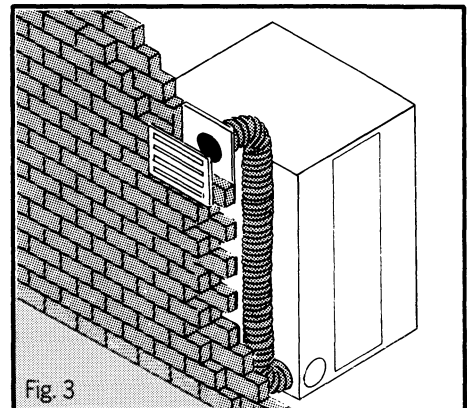
Weight	24 kg (53 lb.)
Width	49.5 cm (19.5 ins.)
Depth	49.5 cm (19.5 ins.)
Height	67 cm (26.4 ins.)
Capacity	3 kg (7 lb.)
Supply voltage	220/240 V
Power consumption	
– motor	150 W
– heating element	1500 W
Total power consumption	1650 W



## CONTENTS

### Page

3	Installation
4	Electrical Information
5	Operation
6	Drying Hints
7	Drying Times
8	Fluff filter/Something not working
10	Service Organisation
11	Guarantee



# Installation

## Location

Install the appliance in a well-ventilated room close to a window which can be opened. This is necessary to allow the steam emitted during operation of the dryer to escape to the outside. Alternatively, you may prefer to carry the steam out through the open window or into a ventilation grille (see fig. 3) using the optional 100mm hose available from your Electrolux dealer.

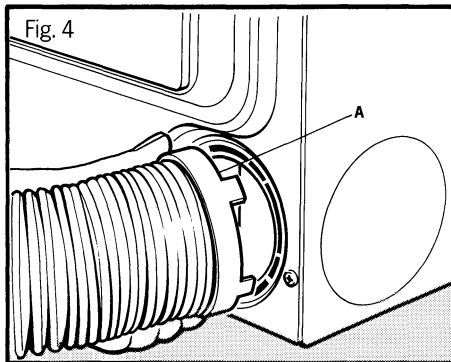
There are two vent positions, one at the rear of the cabinet and one at the side (see fig. 1). Use whichever is convenient when installing, remember to fit the cover over the unused vent position if necessary.

For the quietest operation, the dryer should be placed on a firm and level surface. We recommend the use of a spirit level on the top of the cabinet once installed in its permanent position to ensure this.

### **WARNING**

**Under no circumstances should you connect the steam vent to a heating system flue.**

## Connecting the vent hose



Pull the ring-nut (A fig. 4) from its position in the vent hole and screw onto the 100mm hose (optional extra). Then push firmly into the vent selected.

Once connected, the hose can be run to the desired ventilation point. Ensure that the overall length is less than 2 metres (75 ins.) and contains no more than 2 bends.

# Electrical Information

## Connecting to the mains

Before you use your tumble dryer check that the voltage shown on the data plate conforms with your mains supply.

The mains lead of the tumble dryer is fitted with a non-rewireable moulded-on 13 amp plug containing a 13 amp fuse. In the event of the fuse requiring replacement, the fuse cover/carrier should be removed, using a small screw driver to lever it out. The old fuse should be replaced by a 13 amp ASTA approved BS1362 fuse and the fuse cover/carrier **must** be refitted before the plug is used again.

If the fuse cover/carrier is lost, a replacement can be obtained from the Electrolux Service Shops and offices listed on page 10. The fuse cover/carrier must be of the same colour as that of the coloured insert in the base of the plug. **In no circumstances must the plug be used without a correct fuse cover/carrier fitted.**

If the plug supplied on the mains lead is not suitable for the socket outlet in your home it should be cut off and disposed of safely, or destroyed, to avoid any possible shock hazard resulting from the plug being inserted into a 13 amp socket elsewhere in the house. A suitable replacement plug should be fitted (as given opposite. (If a 13 amp plug and socket are not used, the circuit supplying the washing machine should contain a 15 amp fuse.)

**WARNING –**  
**THIS APPLIANCE MUST BE EARTHED.**

***This appliance complies with E.E.C. directive No. 82/499 relative to radio interference suppression.***

## IMPORTANT

The wires in the mains lead of this appliance are coloured in accordance with the following code:–

**GREEN-and-YELLOW: EARTH**

**BLUE : NEUTRAL**

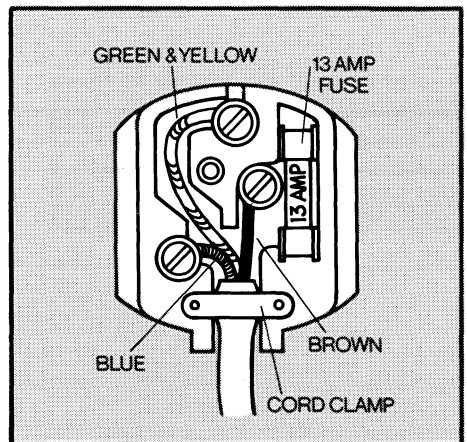
**BROWN : LIVE**

As the colours of the wires in the mains lead may not correspond with the coloured markings identifying the terminals in your plug, proceed as follows:–

Connect the GREEN-and-YELLOW coloured wire to the plug terminal marked letter E or earth symbol  $\perp$  or coloured green or green-and-yellow.

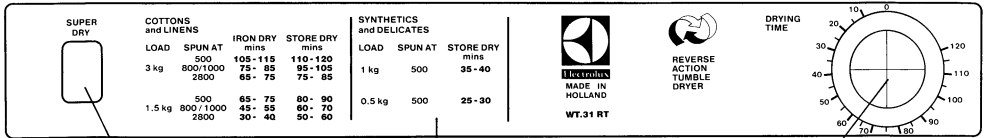
Connect the BROWN coloured wire to the plug terminal marked letter L or coloured red.

Connect the BLUE coloured wire to the plug terminal marked letter N or coloured black.



**Note:** Do not connect the dryer to the same socket as an existing appliance (such as a washing machine), using an adaptor, an additional socket should be installed by a competent electrician if necessary.

# Operation



A Temperature Button

B Programme Chart

C Time selector dial

Fig. 5

## A Temperature Button

Push the Super Dry button in for a high temperature; leave it out for a low temperature. Use the high temperature for drying cottons and linens and the low temperature for drying synthetics and delicates.

## B Programme Chart

This will help you to select the correct programme or time for drying. (See chart page 7).

## C Time Selector Dial

The selector dial is marked with times in minutes. To set the machine to the selected time, turn the dial clockwise until the time you want coincides exactly with the pointer. **Never attempt to turn the dial in an anti-clockwise direction.**

## Drying

The dryer has a drying time of up to 120 minutes. This can be extended when the original programme is completed, by re-setting the control knob for a further period of drying. The door of the machine can be opened at any time during the programme if you want to feel the dryness of the fabrics. It is a mistake to allow the fabric to become too dry as this gives it a rough feel. It is better to select too short a time and then set the dial for a further period if necessary. Remember that during the last 10 minutes of the

operation, the heat is cut off in order to carry out a fabric cooling phase, which prevents any creasing or crumpling of the fabrics – if you do set the dial for extra drying time, 15 minutes would be the minimum.

## Sorting and loading the laundry

Open the door by pulling the door catch towards you. Before using the appliance for the first time, clean the inside of the drum with a piece of cloth soaked in a little mild detergent.

Sort the laundry according to type of fabric. If you have washed the clothes in a machine prior to tumble drying, then they will have been grouped according to fabric type and can be simply transferred direct to the dryer.

Ensure that all laundry has been through a spin programme before placing in the dryer.

Shorter drying times can be set if the load has completed a fast spin, resulting in energy and cost savings.

Even delicate or synthetic fabrics should be spun briefly (approx. 30 – 60 seconds) before placing in the dryer.

The maximum load for cotton and linen type fabrics is 3 kg. (7 lb). Delicate fabrics and loads which require more space for articles to tumble freely, such as heavy towels, should not exceed 1 kg. (2.2 lb).

Empty pockets, close zips and fasten or remove belts.

# Operation (contd.)

# Drying

## Starting the machine

After connecting the machine to the electricity supply, turn the drying timer clockwise to the required time.

At this point the drying programme will start.

## Stopping the machine

Upon completion of the programme, the selector knob returns automatically to the stop position.

The drying programme can be curtailed by turning the timer to the stop position. The machine will stop automatically if the door is opened,–

on closing the door, the machine will resume operation and complete the drying programme.

### **Important**

**Only laundry washed in water should be dried in the tumble dryer.**

**In particular, the following fabrics should not be loaded into the dryer:**

**Clothes which have been dry-cleaned, or cleaned with chemical solvents.**

**Woollens or mixed woollens which will shrink with heat. (Check labels for suitability).**

**Extremely delicate fabrics, such as silk and synthetic curtains.**

**Sponge rubber & similar items.**

**Fibreglass items.**

**Paper products (e.g. kitchen cloths).**

## Hints for successful drying

Use fabric conditioner when washing towels or woollens and they will dry with a softer finish. Remove clothes from the machine as soon as drying is complete. This will prevent them from creasing.

Never select over-long drying times or fabrics may come out feeling rough, or worse; shrunk. Take light articles out when they are still slightly damp and hang them on a clothes line for a short time.

Items which need ironing should be dried to 'iron dry'. If you cannot iron them immediately, fold and roll them up to preserve a uniform dryness. If you are hand washing nappies, rinse them thoroughly in clear water, spin them as dry as possible and then put them in the dryer to dry off.

Always remember to empty pockets before washing clothes and then tumble drying them. (This is important as loose coins lodged between the tub and the drum can cause excessive damage). Avoid drying dark clothes with light coloured fluffy items such as towels as they could attract the fluff.

Never put clothes that are dripping wet into the dryer.

Remember:–

Always clean the fluff filter after each drying operation. This will ensure maximum air-flow through the machine and efficient drying (see p. 8).

Do not be alarmed by the amount of fluff. It is not due to excessive wear caused by the dryer. All fabric loses fluff when drying but it goes unnoticed in the air. In a tumble dryer it simply collects in the filter.

# Drying times

The drying times given in the following chart are the results of tests carried out with all types of fabrics. Nevertheless, considering the great variety of mixed fabrics, these drying times should be regarded as a general guide only.

Laundry Type	Quantity	*Washing Machine Spin Speed r.p.m.	Degree of Drying	Timer Control Knob Setting	Temperature Button Setting
Cotton/ linen	3kg (7lb)	500	Iron dry	105 – 115	Super Dry
		800 – 1000		75 – 85	"
		2800		65 – 75	"
	1.5kg (3.5lb)	500	Iron dry	65 – 75	"
		800 – 1000		45 – 55	"
		2800		30 – 40	"
	3kg (7lb)	500	Store dry	110 – 120	"
		800 – 1000		95 – 105	"
		2800		75 – 85	"
	1.5kg (3.5lb)	500	Store dry	80 – 90	"
		800 – 1000		60 – 70	"
		2800		50 – 60	"
Synthetics	1kg (2lb)	500	Store dry	35 – 40	Normal
	1lb	500		25 – 30	"

\*If the laundry is spin dried in a washing machine at less than 500 rpm the residual dampness will be higher and consequently the drying time should be increased. This applies particularly to laundry consisting primarily of towels.

On the other hand if the laundry is spin dried at more than 1000 rpm, the residual dampness will

be lower and consequently the drying time should be decreased.

### Safety Note

It has been known for small children or pets to climb into unattended tumble dryers. To avoid the possibility of any accidents, **always remove the plug when the dryer is not in use.**

# Fluff filter

## Cleaning the fluff filter

This needs cleaning after each drying cycle. It is incorporated around the rim of the porthole door (fig. 6) and traps the fluff which collects during a drying cycle.

## General care and cleaning

Dust and fluff will tend to deposit in the door openings and filter seat, this should be removed regularly with the crevice nozzle of a vacuum cleaner.

Occasionally clean the plated and plastic parts and the glass porthole with a soft damp cloth. Never use abrasive powders. Wipe over the exterior of the cabinet with lukewarm water and a mild, liquid cleaner, rinse and dry thoroughly. Apply a little wax furniture cream with a soft cloth to the paintwork from time to time to maintain the gloss finish.

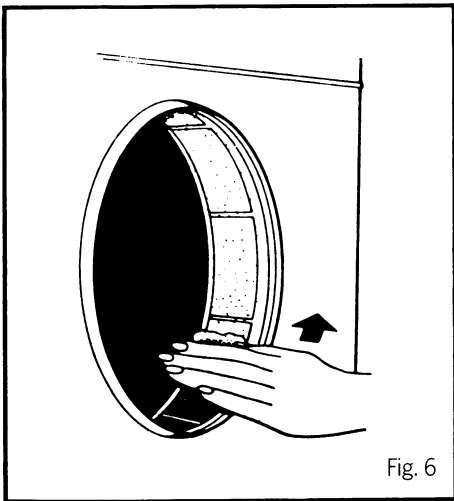


Fig. 6

# Something not working . . .

In the event of your machine developing a fault, you should quickly run through this check-list before contacting your local Electrolux Service Office.

## The machine will not start

- 1) Check that the electricity is switched on at the wall socket and the fuse is in order.
- 2) That the door is properly closed.
- 3) That the drying time has been set.

## The laundry will not dry despite the machine having been set to start

Check that

- 1) The drum is not overloaded.
- 2) The laundry was actually spun at an adequate degree.
- 3) The fluff filter is not clogged.
- 4) The room in which the machine is installed has a sufficient supply of fresh air.
- 5) That the correct temperature was set for the type of fabric.

## WARNING

**Do not attempt to repair the tumble dryer yourself. Repairs carried out by unauthorised or inexperienced persons might cause injury and more serious malfunctioning.**



# Cautionary Notes

1) It is very important to follow carefully each garment manufacturers washing and drying instructions.

2) Woollen garments and those manufactured from synthetic/wool mixtures should always be dried to the garment manufacturers instructions which usually state that they should be gently pulled into shape and dried on a flat surface.

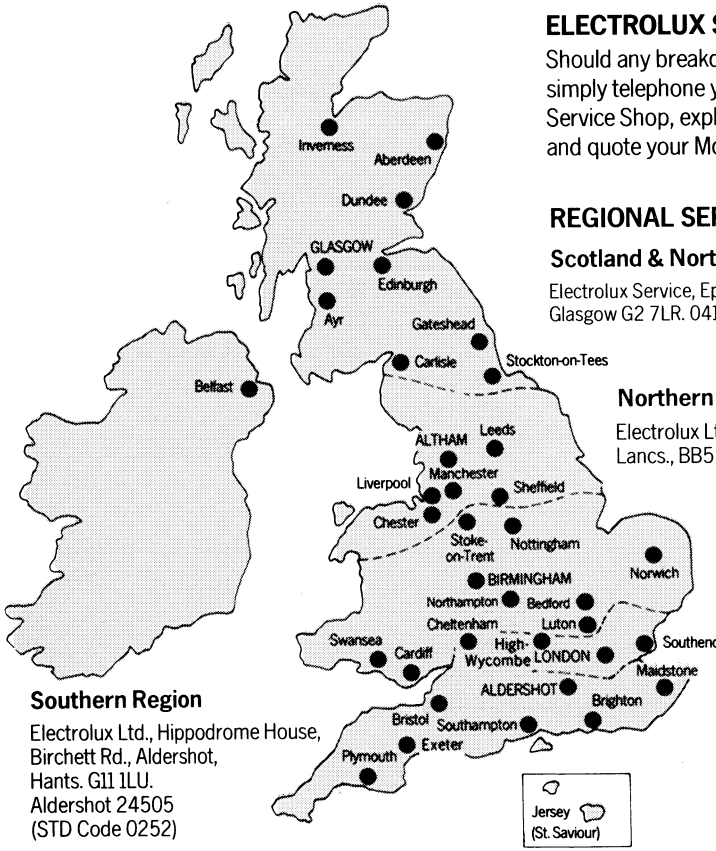
3) Never put dripping wet clothes into the dryer.

4) Children have been known to climb into unattended tumble dryers when not in use.

Always remove the plug or switch off at the socket outlet.

5) Never put clothes into the dryer which are contaminated with flammable liquids, such as petrol and cleaning fluids, or hair lacquers, creams, cooking fat, oils, wax or paint. This is important because even small remaining traces of these substances can cause fires under certain circumstances. For the same reason you should not tumble dry articles containing foam rubber or rubber-like materials, plastic or plastic foam, nappy pants or polythene bags.

# Electrolux Service Organisation



## ELECTROLUX SERVICE OFFICES

Should any breakdown occur with your appliance simply telephone your nearest Service Office or Service Shop, explain the nature of your problem and quote your Model number.

## REGIONAL SERVICE OFFICES

### Scotland & North Eastern Region

Electrolux Service, Epic House, 28-32 Cadogan Street, Glasgow G2 7LR. 041-204 0411

### Northern Region (Inc. N. Ireland)

Electrolux Ltd., Altham Lane, Altham, Accrington, Lancs., BB5 5XY. Padiham 74621 (STD Code 0282)

### Midlands & South Wales Region

Electrolux Ltd., 3 Strensham Hill, Moseley, Birmingham B13 8AQ. 021-449 5252

### London Region

Electrolux Ltd., 842 Coronation Road, Park Royal, London NW10 7QA. 01-965 9699

### Southern Region

Electrolux Ltd., Hippodrome House, Birchett Rd., Aldershot, Hants. GU11 1LU. Aldershot 24505 (STD Code 0252)

## ELECTROLUX SERVICE SHOPS

- Aberdeen 695761 (STD Code 0224)
- Ayr 262242 (STD Code 0292)
- Bedford 219000 (STD Code 0234)
- Belfast 740 296/7 (STD Code 0232)
- Brighton 694341 (STD Code 0273)
- Bristol 211876 (STD Code 0272)
- Cardiff 387444 (STD Code 0222)
- Carlisle 44568 (STD Code 0228)
- Cheltenham 584051 (STD Code 0242)
- Chester 312038 (STD Code 0244)
- Dundee 22630 (STD Code 0382)
- Edinburgh 031-229 1232
- Exeter & E. Devon 217138 (STD Code 0392)
- Gateshead 4600440 (STD Code 091)
- High Wycombe 41042 (STD Code 0494)
- Inverness 223056 (STD Code 0463)

- Jersey (St. Saviour) Central 22138 (STD Code 0534)
- Leeds 608511 (STD Code 0532)
- Liverpool 051-220 8014
- Luton 575966 (STD Code 0582)
- Maidstone 677727 (STD Code 0622)
- Manchester 061-798 9689
- Northampton 69222 (STD Code 0604)
- Norwich 667017 (STD Code 0603)
- Nottingham 396927 (STD Code 0602)
- Plymouth 58161 (STD Code 0752)
- Sheffield 338674 (STD Code 0742)
- Southampton 785231 (STD Code 0703)
- Southend 354313 (STD Code 0702)
- Stockton-on-Tees 674848 (STD Code 0642)
- Stoke-on-Trent 413414 (STD Code 0782)
- Swansea 51848 (STD Code 0792)

# Guarantee

**This Guarantee is offered to you as an extra benefit and does not affect your legal rights.**

Electrolux products are carefully designed, manufactured, tested and inspected and in consequence we undertake to replace or repair any part found to be defective in material or workmanship, within one year of delivery to the original purchaser, free of charge.

ADDITIONALLY, DURING THE SUBSEQUENT FOUR YEARS, ANY DEFECTIVE PARTS WILL BE REPLACED FREE – LABOUR COSTS ONLY BEING CHARGEABLE, provided that within 14 days of the purchase the Guarantee Registration card is completed and returned to the Company.

This Guarantee is conditional upon service being carried out by an Electrolux Service representative or an authorised agent, and the appliance having been correctly installed and used in accordance with the Company's instructions under normal domestic conditions within the United Kingdom or the Republic of Ireland. It may be invalidated by unauthorised repair or modification of the appliance.

The Company does not accept liability for defects arising from neglect, misuse, or accident.

Proof of the date of purchase will be required before service under guarantee is provided. Addresses or telephone numbers for service requests are listed opposite.

## **TUMBLE DRYER WT31RT – A LUX MODEL, MADE IN HOLLAND**

---

These appliances conform with the requirements of  
EEC Directive No. 82/499 relating to radio interference.



ELECTROLUX LTD., LUTON, BEDS. LU4 9QQ

In accordance with its policy of progressive product design  
the Company reserves the right to alter specifications.

T636

©Electrolux Ltd., 9/86

Publication No.

Printed in England.